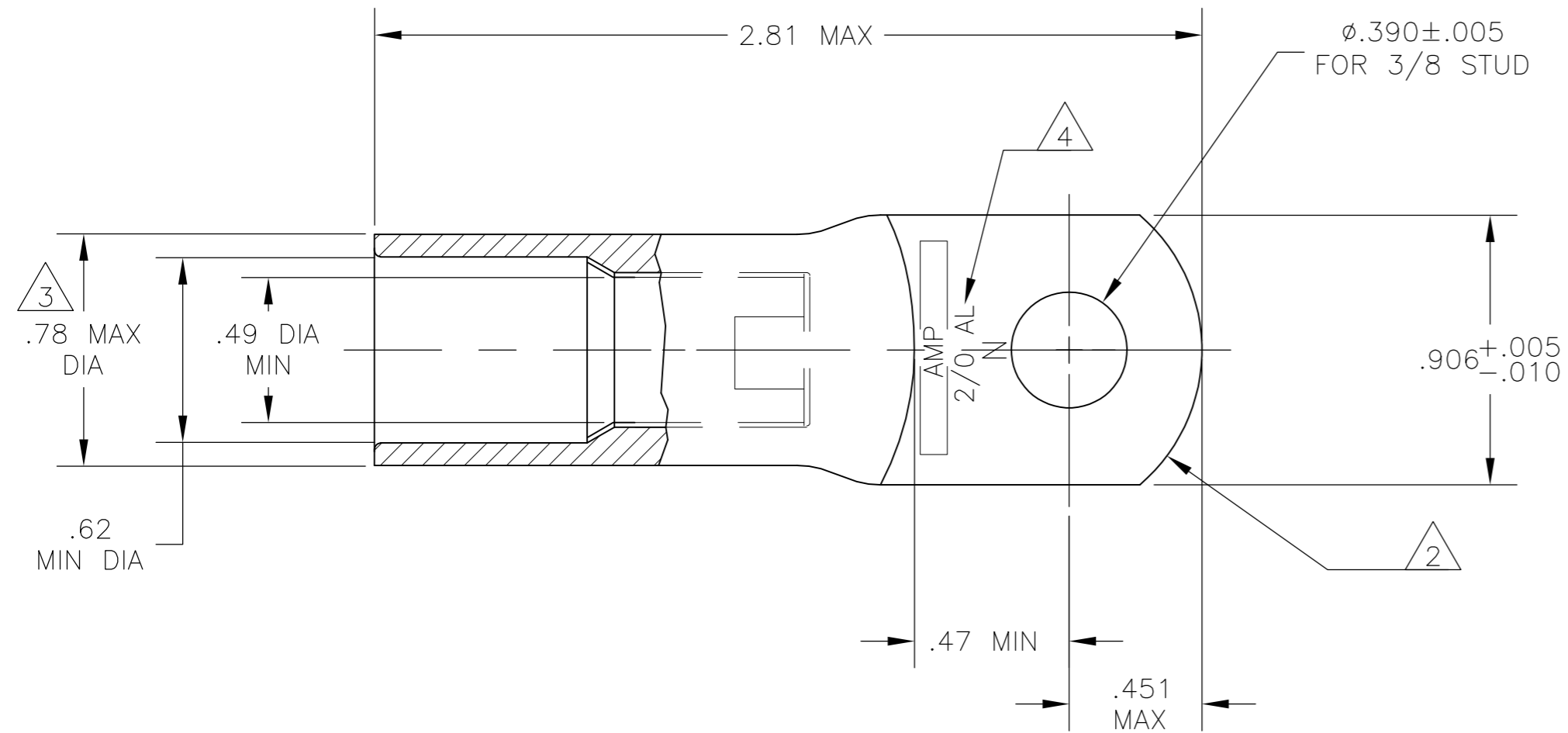
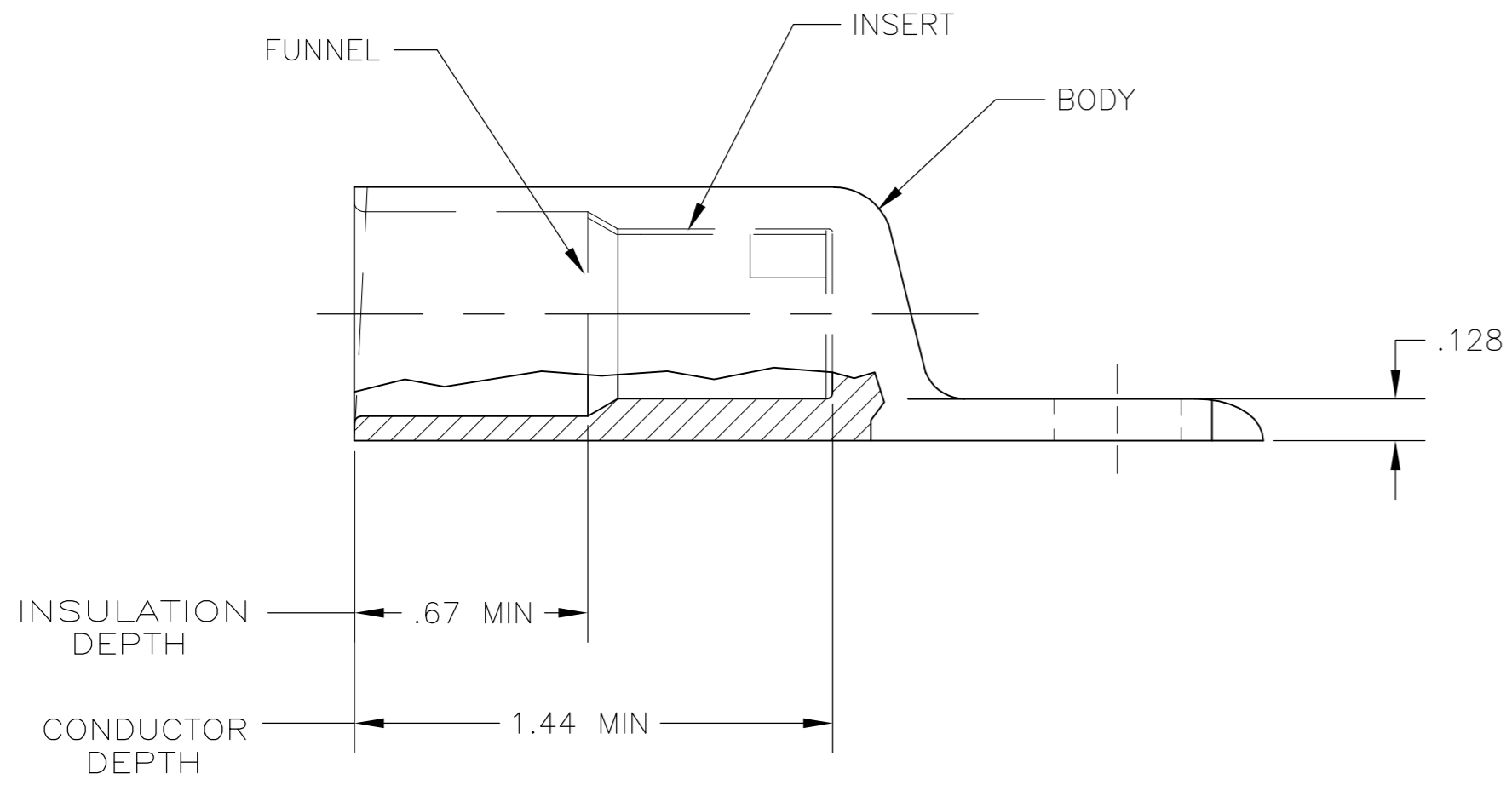


THIS DRAWING IS UNPUBLISHED. RELEASED FOR PUBLICATION
 © COPYRIGHT BY TYCO ELECTRONICS CORPORATION. ALL RIGHTS RESERVED.

LOC	DIST	REVISIONS					
		P	LTR	DESCRIPTION	DATE	DWN	APVD
G	86						
		A3		REVISED PER ECR-08-004326	20FEB08	JR	CK



- 1 WIRE INSULATION: .500-.574 DIA
- 2 THE TONGUE RADIUS FEATURE IS NOT A TOOLING CONTROLLED DIMENSION AND MAY NOT BE A TRUE RADIUS.
- 3 FLASH PERMITTED ±.020
- 4 STAMP "AMP 2/0 AL N" SIZE AND LOCATION APPROX AS SHOWN SEE TABLE FOR QUALIFICATION PORTION OF STAMP
P = PRODUCTION (IMPACT PART)
M = MACHINED PART
- 5 PREPRODUCTION - FASR REQUIRED
- 6 THIS PRODUCT HAS NOT COMPLETED VALIDATION TESTING.



MACHINED	M AMP	INSERT & FUNNEL: BRASS MIL-C-50 NICKEL PL QQ-N-290 .000100 MIN THK BODY: COPPER ASTM-B187 ANNEALED NICKEL PL .000300 MIN THK PER QQ-N-290	5 1958058-1
QUALIFICATION DESCRIPTION 4	QUALIFICATION STAMP 4	MATERIAL & FINISH	PART NO.
THIS DRAWING IS A CONTROLLED DOCUMENT.		DWN JR RUTH 05JAN07 CHK JOHN KNOLL 05JAN07 APVD JOHN KNOLL 05JAN07	Tyco Electronics Corporation Harrisburg, PA 17105-3608
DIMENSIONS: INCHES	TOLERANCES UNLESS OTHERWISE SPECIFIED:	NAME	WIRE TERMINAL, RING TONGUE, SEALED COPALUM, WIRE SIZE: 2/0 ALUMINUM
0 PLC ± - 1 PLC ± - 2 PLC ± - 3 PLC ± .008 4 PLC ± - ANGLES ± -	FINISH SEE TABLE	PRODUCT SPEC - APPLICATION SPEC -	SIZE CAGE CODE DRAWING NO RESTRICTED TO
MATERIAL SEE TABLE	FINISH SEE TABLE	WEIGHT 81 GRAMS CUSTOMER DRAWING	A2 00779 C=1958058
		SCALE 2:1	SHEET 1 of 1 REV A3